

# CPY250

CPY Series LED Canopy - IP66 - Soffit Luminaire  
Direct Mount - Flat Lens

## Product Description

Slim, low profile, easy mounting from below the deck. Luminaire housing constructed of rugged cast aluminum with integral heat sink specifically designed for LED. Luminaire mounts directly to the canopy deck in a 51mm to 102mm round hole and is secured in place with self-sealing screws that provide water-tight seal. Suitable for use in single or double skin canopies with a minimum 102mm wide panels and a minimum 0.7mm canopy thickness. Direct imaging of LEDs is eliminated with high efficiency patterned flat or 23mm drop glass lens.

## Performance Summary

CRI: Minimum 70 CRI

CCT: 5700K (+ / - 500K) Standard, 4000K (+ / - 300K)

Limited Warranty<sup>†</sup>: 10 years on luminaire / 10 years on Colorfast DeltaGuard<sup>®</sup> finish

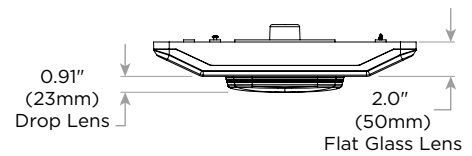
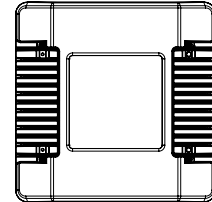
## Accessories

### Field Installed Accessories

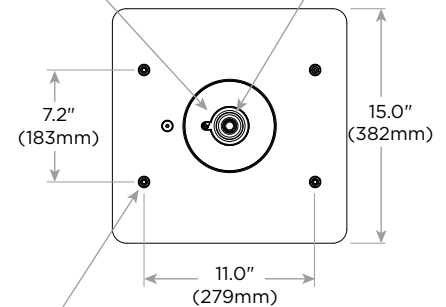
<b>XA-BXCCBPW</b> Beauty Plate	<b>XA-BXCCBPB16W</b> Beauty Plate w/406mm Backer
<b>XA-BXCCBPB12W</b> Beauty Plate w/305mm Backer	<b>TPS-2</b> Tamper Resistant Driver Bit



Flat Lens



Gasket to Seal up to 4.25" (108mm) Canopy Cutout  
3/4" (19mm) NPT Conduit Entry



Mounts with (4) Supplied Self-Sealing Sheet Metal Screws

## Ordering Information

Example: XCCA0A08+4W-OPTIONS

XCC	A	O	A	O8	+	4	W	Options
Product	Version	Mounting	Optic	Input Power Designator	Class	Voltage	Color Options	
XCC	A	O Direct	A Flat Lens	O8 81W 13 126W	+	4 220-240V	W White (Standard) S Silver T Black Z Bronze B Silver Bronze	7 4000K Color Temperature - Color temperature per luminaire K# Light Control with Occupancy Sensor - Flux dimming control with occupancy sensor E Light Control with Occupancy Sensor with remote control - Flux dimming control with occupancy sensor with remote control Y Dimmable 1-10V - Control by others - Refer to dimming spec sheet for details

<sup>†</sup> See [www.cree.com/lighting/products/warranty](http://www.cree.com/lighting/products/warranty) for warranty terms.



## Product Specifications

### CONSTRUCTION & MATERIALS

- Slim, low profile, easy mounting from below the deck
- Luminaire housing constructed of rugged cast aluminum with integral heat sink specifically designed for LED
- Luminaire mounts directly to the canopy deck in a 51mm to 102mm round hole and is secured in place with self sealing screws that provide water-tight seal
- Suitable for single or double skin canopies with minimum 102mm wide panels and a minimum 0.7mm canopy thickness
- Entry of the power cord (equipped with IP68 connector) with metallic cable gland to guarantee IP66 rating for the wiring compartment
- Alignment pin included for ease of installation if desired (optional; requires drilling of additional hole)
- Below ceiling serviceable driver for ease of upgrade or replacement
- Exclusive Colorfast DeltaGuard® finish features an E-Coat epoxy primer with an ultra-durable powder topcoat, providing excellent resistance to corrosion, ultraviolet degradation and abrasion. Standard is white. Bronze, Black, Silver, and Silver Bronze are also available

### ELECTRICAL SYSTEM

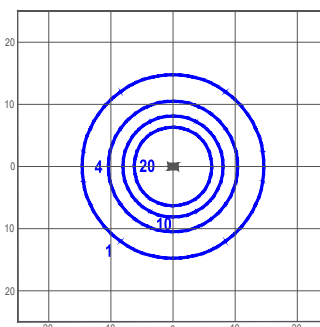
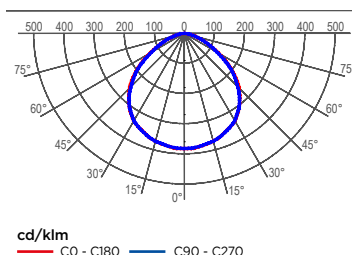
- **Input Voltage:** 120-277V, 50/60Hz, Class 1 drivers
- **Power Factor:** > 0.98 at full load
- **Total Harmonic Distortion:** < 20% at full load
- Integral 6kV surge suppression protection standard
- To address inrush current, slow blow fuse or type C/D breaker should be used

### REGULATORY & VOLUNTARY QUALIFICATIONS

- Enclosure rated IP66 per IEC 60529
- 6kV surge suppression protection tested in accordance with IEEE/ANSI C62.41.2
- Luminaire and finish endurance tested to withstand 5,000 hours of elevated ambient salt fog conditions as defined in ASTM Standard B 117
- Dark Sky Friendly, IDA Approved when ordered with "F" optic

## Photometry

All published luminaire photometric testing performed to IESNA LM-79-08 standards by a NVLAP certified laboratory.



lux

Mounting Height: 6m

XCCAA0A08+4  
Initial Delivered Lumens: 8,821  
ITL Test Report #: 76866

### IES Files

To obtain an IES file specific to your project, please consult [www.cree-europe.com](http://www.cree-europe.com)

## Lumen Output, Electrical, and Lumen Maintenance Data

CPY250 Canopy Luminaire								
Optic	5700K		4000K		System Watts 120-277V	TOTAL CURRENT 230V	50K Hours Projected Lumen Maintenance Factor @ 15°C (59°F)	L70 Life*** (hours)
	Initial Delivered Lumens*	BUG Ratings** Per TM-15-11	Initial Delivered Lumens*	BUG Ratings** Per TM-15-11				
F	8821	B3 UO G1	8239	B3 UO G1	81	0,36	97%	> 150,000
F	13636	B3 UO G1	12457	B3 UO G1	126	0,56	94%	> 100,000

\* Actual production yield may vary between -4 and +10% of initial delivered lumens.

\*\* For more information on the IES BUG (Backlight-Uplight-Glare) Rating visit [www.iesna.org/PDF/Erratas/TM-15-11BugRatingsAddendum.pdf](http://www.iesna.org/PDF/Erratas/TM-15-11BugRatingsAddendum.pdf).

\*\*\* For recommended lumen maintenance factor data see TD-13. Calculated L70 based on 6,000 hours LM-80-08 testing.