

XSP Series

XSPW™ LED Wall Mount Luminaire

Product Description

The XSPW™ LED wall mount luminaire has a slim, low profile design intended for outdoor wall mounted applications. The rugged lightweight aluminum housing and mounting box are designed for easy installation. The luminaire allows for through-wired or conduit entry from the top, bottom, sides and rear. The housing design is intended specifically for LED technology including a weathertight LED driver compartment and thermal management. Optic design features industry-leading NanoOptic® Precision Delivery Grid™ system.

Applications: General area and security lighting

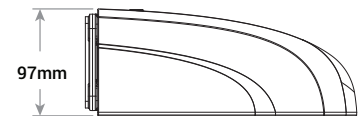
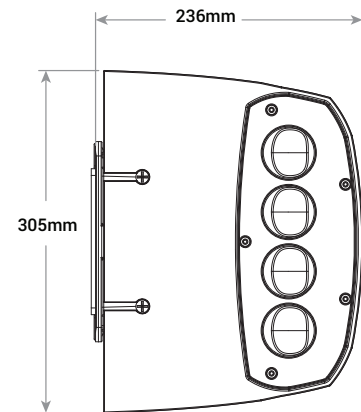
Performance Summary

NanoOptic® Precision Delivery Grid™ optic

CRI: Minimum 70 CRI

CCT: 4000K (+/- 300K)

Limited Warranty*: 5 years on luminaire/10 years on Colorfast DeltaGuard® finish



Ordering Code XSPW9001						
Product	Mounting	Optic	CCT	Insulation Class	Voltage	Color
XSPW	Wall	3 Type III Medium	40K 4000K	+ Class 1	UNV 220-240V	SV Silver BK Black BZ Bronze SB Silver Bronze WH White

* See www.cree.com/lighting/products/warranty for warranty terms



Product Specifications

CONSTRUCTION & MATERIALS

- Slim, low profile design
- Luminaire housing specifically designed for LED applications with advanced LED thermal management and driver
- Luminaire can be direct mounted to a wall and surface wired
- Conduit entry from top, bottom, sides, and rear
- Designed for easy through-wiring
- Designed for downlight applications only
- Exclusive Colorfast DeltaGuard® finish features an E-coat epoxy primer with an ultra-durable powder topcoat, providing excellent resistance to corrosion, ultraviolet degradation and abrasion. Standard is Silver. Black, Bronze, Silver Bronze and White are also available
- Weight: 4.3kg

ELECTRICAL SYSTEM

- **Input Voltage:** 220-240V or 50/60Hz
- **Power Factor:** > 0.9 at full load
- **Total Harmonic Distortion:** < 20% at full load
- To address inrush current, slow blow fuse or type C/D breaker should be used

REGULATORY & VOLUNTARY QUALIFICATIONS

- CE listed
- Enclosure rated IP65 per IEC 60529
- 9kV surge suppression protection tested in accordance with EN 61547 and IEC 61000-4-5
- Luminaire and finish endurance tested to withstand 5,000 hours of elevated ambient salt fog conditions as defined in ASTM Standard B 117
- Risk group exempt in accordance with Standard CEI EN 62471 for photobiological safety
- RoHS compliant

Electrical Data*		
Input Power Designator	System Watts 220-240V	Total Current
		230V
C	38	0.17

* Electrical data at 25°C (77°F)

Recommended Cree® XSPW Series Lumen Maintenance Factors (LMF) ¹		
Ambient	Input Power Designator	Life Time**
25°C (77°F)	C	L80 > 100 000 L80F10 > 100 000 L80B20 > 100 000

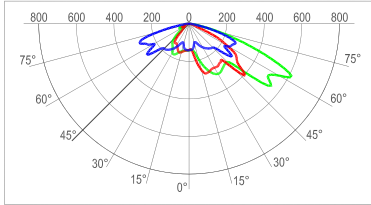
¹ Lumen maintenance values at 25°C (77°F) are calculated per TM-21 based on LM-80 data and in-situ luminaire testing

** Data at 25°

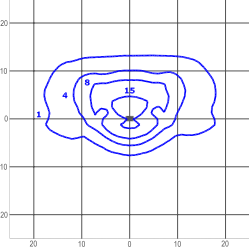
Photometry

All published luminaire photometric testing performed to IESNA LM-79-08 standards by a NVLAP certified laboratory. To obtain an IES file specific to your project consult: <http://www.cree-europe.com>.

Type III Medium



cd/klm
 C0 - C180 C90 - C270 C50-C230



lux

Type III Medium Distribution	
Input Power Designator	4000K
	Initial Delivered Lumens*
C	3817

* Initial delivered lumens at 25°C (77°F). Actual production yield may vary between -4 and +10% of initial delivered lumens

Test Report #: 841-QL15-R01
 Initial Delivery Lumens: 4156

XSPW9001
 Mounting Height: 6m
 Initial Delivery Lumens: 3817